

服务热线：0510-8884 8008

专业磁电装备供应商
安全 便捷 高效



 **翔源机械**
XIANGYUAN MACHINERY

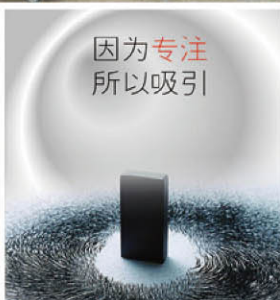


IMAGE TODAY DESIGN SOURCE]

We are the best Korean Ready Free image producer in Korea and now have 20,000 images in its Photoleader series and Green series. Our local images are well known to Korean design and advertising industry and the market share of our images is over 70 percent in local lifestyle category.



以质量求生存，以信誉求发展。

创优质的产品，做全面的服务。

——服务宗旨



专业磁电装备供应商
安全 便捷 高效

目录 CONTENT

▶ 企业介绍02
▶ 企业资质03
▶ 产品介绍	
除铁器	
自冷圆形电磁除铁器04
自冷矩形电磁除铁器05
自冷自卸式电磁除铁器06



► 翔源简介

无锡翔源机械设备有限公司座落于美丽富饶的长江三角洲（中国·江苏·无锡），紧依优美的太湖，毗邻南京、上海、浙江，交通便捷。本公司为江苏省民营高科企业，并通过 ISO 9001:2015 质量管理体系认证以及 CE 欧盟认证；拥有专业磁电专家及技术人员，提供安全、便捷、高效的磁电装备。

本公司主要产品有——电磁吸盘系列、电永磁吸盘系列、永磁吸盘系列、永磁起重器系列、起重电磁铁系列、退磁器（消磁器）系列以及控制器等相关配套产品。产品广泛应用于冶金、机械、造船、电力、矿山、汽车制造、轨道交通等行业，畅销全国多个省市自治区，并出口到欧洲、美国、日本、韩国、东南亚等国家和地区……

公司长期坚持“以质量求生存，以信誉求发展”的经营理念，严格监控产品质量，确保质量满足用户要求，同时严格执行“三包”履行质量保证承诺。本公司产品质量稳定，“翔源”已经注册国家商标。

本公司作为国内专业磁电设备供应商，拥有全面的磁电系列产品，提供专业的磁电技术解决方案！

Wuxi Xiangyuan Machinery Equipment Co., Ltd. is located in the beautiful and rich Yangtze River Delta (Wuxi, Jiangsu, China), close to the beautiful Taihu lake, adjacent to Nanjing, Shanghai, Zhejiang, convenient transportation. The company is a private high tech enterprise in Jiangsu Province, and has passed ISO9001:2015 quality management system certification and CE European Union certification; with professional magneto-electric experts and technicians, providing safe, convenient and efficient magneto-electric equipment.

The main products of our company are — Electromagnetic chuck series, Electro-Permanent Magnetic Chuck series, Magnetic chuck series, Lifting Magnet series, Lifting Electromagnet series, Demagnetizing device series, Rectifying controller and other related products. The products are widely used in metallurgy, machinery, shipbuilding, electric power, mine, automobile manufacturing, rail transportation and other industries. It is popular in all the provinces and autonomous regions, and exported to Europe, United States, Japan, South Korea, Southeast Asia and other countries and regions.

The company adheres to the business philosophy of "Survive by quality and develop with credibility" for a long time, strictly monitoring product quality and ensuring quality to meet user requirements, at the same time strictly implement "Three Guarantees" to fulfill the quality assurance commitment. Our product quality is stable, "Xiangyuan" has registered a national trademark.

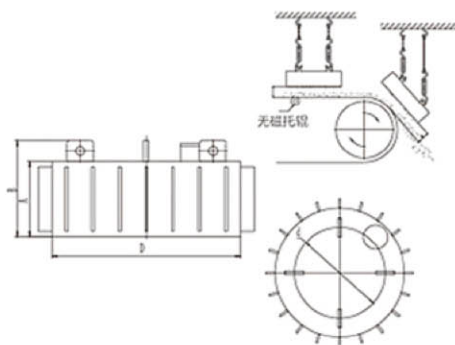
As a professional supplier of magneto electrical equipment, our company has comprehensive magnetic and electrical products, and provide professional solutions for magneto-electric technology.



► RCDB自冷圆形电磁除铁器

产品介绍：RCDB 型自冷盘式电磁除铁器与 PDC 系列盘式电磁除铁器、RCDY 系列电磁除铁器等同。是用于清除粉状或块状非磁性物料中杂铁的除铁装置。其内部采用电工专用树脂浇注，自冷式全密封结构，具有透磁深度大、吸力强、防尘、防雨、耐腐蚀等特点，在极其恶劣的环境中仍能可靠运行。

Product introduction:RCDB self-cooling type disc electromagnetic iron remover and PDC series disc electromagnetic iron remover, RCDY series electromagnetic iron remover. Is used to remove impurity iron in powder or block nonmagnetic materials of iron removal equipment. Its internal electrical use special resin pouring, self-cooled fully sealed structure, with a transparent magnetic deep, strong suction, dustproof, waterproof, corrosion resistance and other characteristics, can still reliable operation in harsh environment. Walking device equipped with can be chosen by customers themselves.



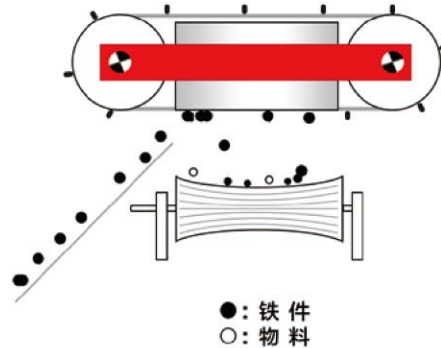
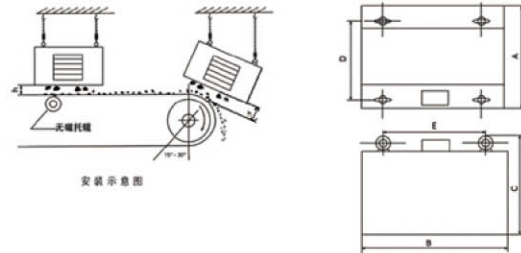
系列悬挂干式电磁除铁器技术参数如下：

型号	适应带宽 mm	额定吊高 h mm	磁场强度 mT	物料厚度 ≤mm	励磁功率 ≤kw	适应带速 ≤m/s	重量 kg	外形尺寸mm			
								A	B	Dφ	dφ
RCDB-3	300	75	70	50	0.4	4.5	185	210	250	400	280
RCDB-4	400	100	70	70	0.6	4.5	300	240	280	500	400
RCDB-5	500	150	70	90	1	4.5	430	280	325	610	450
RCDB-6	600	175	70	120	1.6	4.5	580	280	325	710	500
RCDB-6.5	650	200	70	150	2	4.5	680	280	325	816	640
RCDB-8	800	250	70	200	3.6	4.5	950	310	355	960	780
RCDB-10	1000	300	70	250	5	4.5	1520	310	360	1200	920
RCDB-12	1200	350	70	300	6.8	4.5	2250	310	365	1400	1000
RCDB-14	1400	400	70	350	9	4.5	2950	405	485	1650	1400
RCDB-16	1600	450	70	400	13	4.5	4800	460	540	1900	1650
RCDB-18	1800	500	70	450	18	4.5	6900	530	610	2150	1800

► RCDG自冷矩形电磁除铁器

产品介绍：RCDG 系列干式自冷电磁除铁器内部线圈采用绝缘性等级高，耐热性能好的纱包线绕制而成，适用于输送带上任何物料的除铁，对各种型号的破碎机、磨机起着可靠的保护作用。磁路采用计算机模拟设计，透磁深度大；结构简单合理，维护方便；温升高，磁场强度波动幅度小。

Product introduction:RCDG series dry from the cold internal coil of electromagnetic iron remover by high insulation level, heat resistant performance good cotton covered wire winding and become, is suitable for any material of conveyor belt in addition to iron, for all kinds of crusher, grinding machine has reliable protection.Magnetic circuit by using the computer simulation design, through the magnetic depth;Simple and reasonable structure, convenient maintenance;Low temperature, magnetic field intensity fluctuation is small.



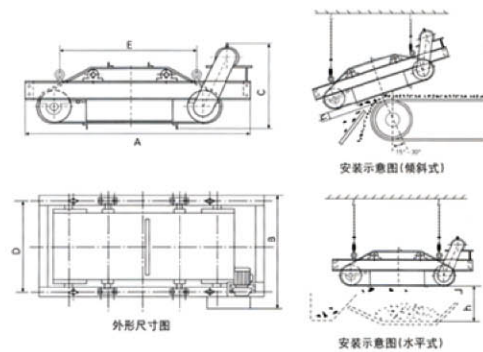
设备技术参数表：

型号参数项目	适应带宽 mm	额定吊高 h=m	物料厚度 ≤	磁场强度 ≥mT	励磁功率 ≤kw	适应带速 ≤m/s	工作制式	重量 Kg	外形尺寸mm		
									A	B	C
RCDG-4	400	120	70	50	0.6	4.5	连续	25	500	500	28
RCDG-5	500	150	100	60	1	4.5	连续	430	610	610	325
RCDG-6	600/650	180	130	63	1.6	4.5	连续	580	710	710	325
RCDG-6.5	650	200	150	70	2	4.5	连续	680	816	816	325
RCDG-8	800	250	200	70	3.6	4.5	连续	950	960	960	355
RCDG-10	1000	300	250	70	5	4.5	连续	1550	1200	1200	360
RCDG-12	1200	350	300	70	6.8	4.5	连续	2250	1400	1400	365
RCDG-14	1400	400	350	70	9	4.5	连续	2950	1650	1650	485
RCDG-16	1600	450	400	70	13	4.5	连续	4800	1900	1900	540
RCDG-18	1800	500	450	70	18	4.5	连续	6900	2150	2150	610
RCDG-20	2000	500	500	70	20	4.5	连续	7500	2200	2200	650

► RCDD自冷自卸式电磁除铁器

产品介绍：RCDD 型自冷自卸式电磁除铁器是一种用于自动清除粉状或块状非磁性物料中杂铁的除铁装置。其内部采用电工专用树脂浇注，自冷式全密封结构。具有透磁深度大、吸力强、防尘、防雨、耐腐蚀、皮带可自动纠偏等优点，在极其恶劣的环境中仍能可靠运行。

Product introduction:RCDD self-cooling type dump electromagnetic iron remover is a kind of used to automatically remove impurity iron in powder or block nonmagnetic materials of iron removal equipment. Its internal electrical use special resin pouring, self-cooling type seal structure. Magnetic depth through large, strong suction, dustproof, waterproof, corrosion resistance, the advantages of belt can be automatic correction, in the extreme environment can still reliable operation.



RCDD系列干式自卸带式电磁除铁器主要技术参数：

型号参数 项目	适应带宽 mm	额定吊高 h=m	物料厚度 ≤mm	励磁功率 ≤kw	磁场强度 ≥mT	驱动功率 ≤kw	适应带速 ≤m/s	重量 kg	外形尺寸mm				
									A	B	C	D	E
RCDD-5	500	150	100	1.2	70	1.5	4.5	950	2020	1040	775	800	1000
RCDD-6	600	180	120	2	70	1.5	4.5	1380	2140	1100	800	900	1100
RCDD-6.5	650	200	150	3	70	2.2	4.5	1490	2275	1190	820	990	1250
RCDD-8	800	250	200	4	70	2.2	4.5	1770	2540	1480	865	1000	1350
RCDD-10	1000	300	250	6	70	3	4.5	2380	2750	1635	940	1250	1400
RCDD-12	1200	350	300	8	70	3	4.5	3170	3000	1800	1010	1500	1700
RCDD-14	1400	400	350	12	70	4	4.5	4800	3500	2050	1050	1850	2000
RCDD-16	1600	450	400	14	70	4	4.5	6300	3900	2450	1180	2200	2350
RCDD-18	1800	500	450	20	70	5.5	4.5	7800	4400	2850	1290	2500	2800

RCDD-T系列干式自卸带式电磁除铁器拥有超强磁性：T1型磁场强度90mT T2型为130mT T3型为150mT



扫一扫 关注翔源



无锡翔源机械设备有限公司

WUXI XIANGYUAN MACHINERY EQUIPMENT CO.,LTD.

地 址：无锡市惠山区洛社镇双庙工业园
电 话：0510-88233906 / 88153158 / 88848008
传 真：0510-88550110
邮 箱：wxxiangyuan@163.com
网 址：www.wxxiangyuan.com

(最终解释权归本公司所有)

address: Luoshe Industrial Park, Huishan District, Wuxi City
Tel: 0510-88233906 / 88153158 / 88848008
Fax: 0510-88550110
E-mail: sales@wx-gb.com
http:// www.wxxiangyuan.com